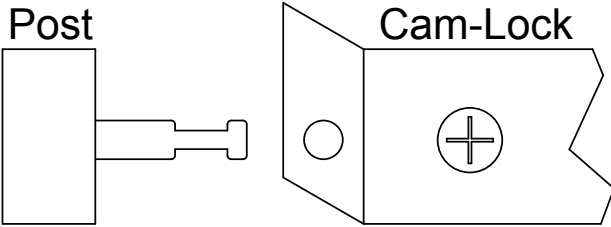


# Solar Comfort Cabinet Assembly

## Contents

- Top Panel
- Left Panel
- Right Panel
- Front Panel
- Bottom Panel
- "L" Bracket
- (2) screws

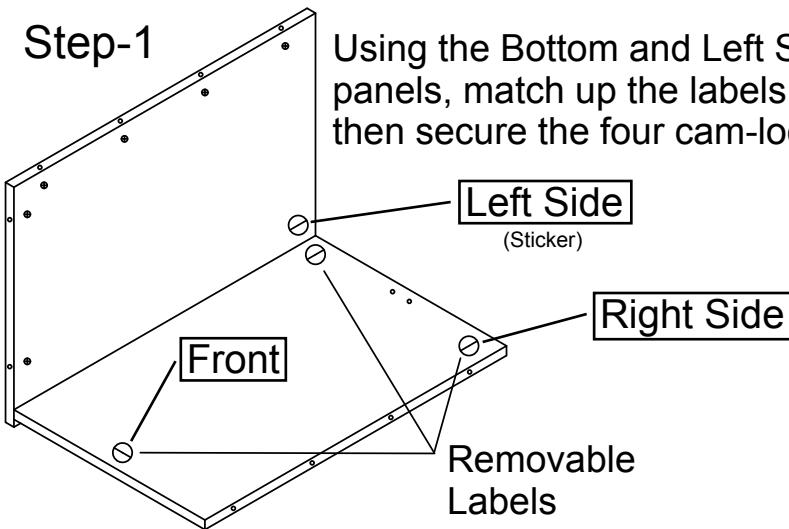
The cabinet is held together by metal posts and cam-locks. The posts and locks are pre-installed. Each panel is clearly marked by removable identification labels. You will need a Phillips screwdriver for assembly.



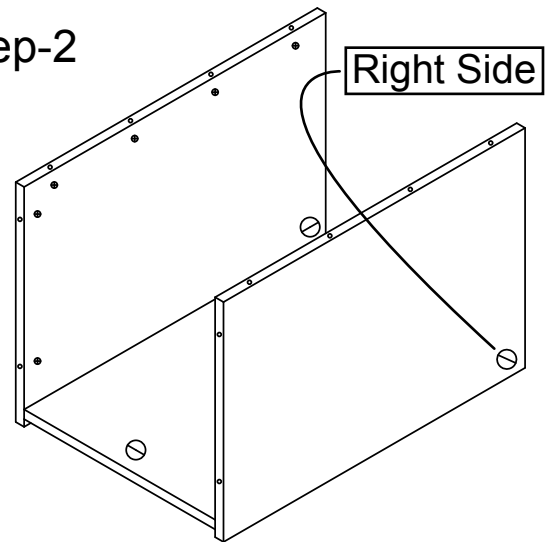
The cam-locks turn clockwise approximately 1/3 of a turn to secure the posts. Do not overtighten the cam-locks.

## Step-1

Using the Bottom and Left Side panels, match up the labels then secure the four cam-locks.



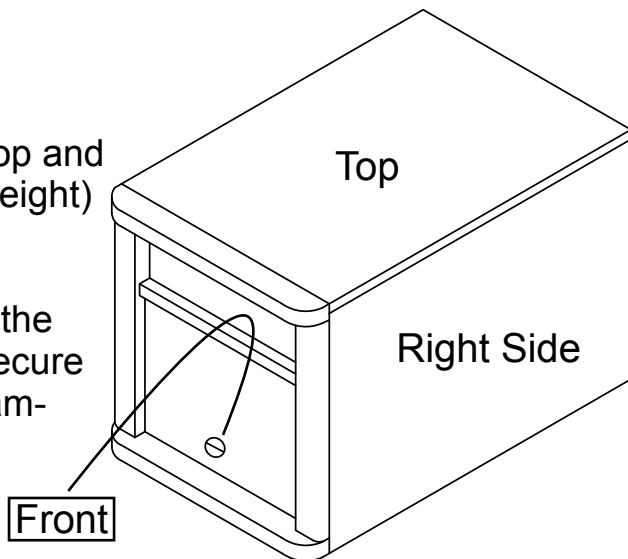
## Step-2



## Step-3

Attach the top and secure the (eight) cam-locks.

Next attach the Front and secure the (four) cam-locks.



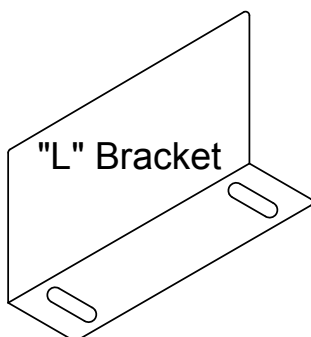
Attach the Right Side panel as shown in Step-2, then secure the (four) cam-locks.

## Step-4

Turn the cabinet upside down. Align the casters over the pre-drilled holes in each corner. Secure the casters with the screws provided. Next turn the cabinet over onto the casters.

Note: Casters are packaged with the heater unit.

## Step-5 Final Step



Slide the heater into the rear of the cabinet. Be sure the heater grill is upward. Secure the "L" bracket with the two Phillips screws.